


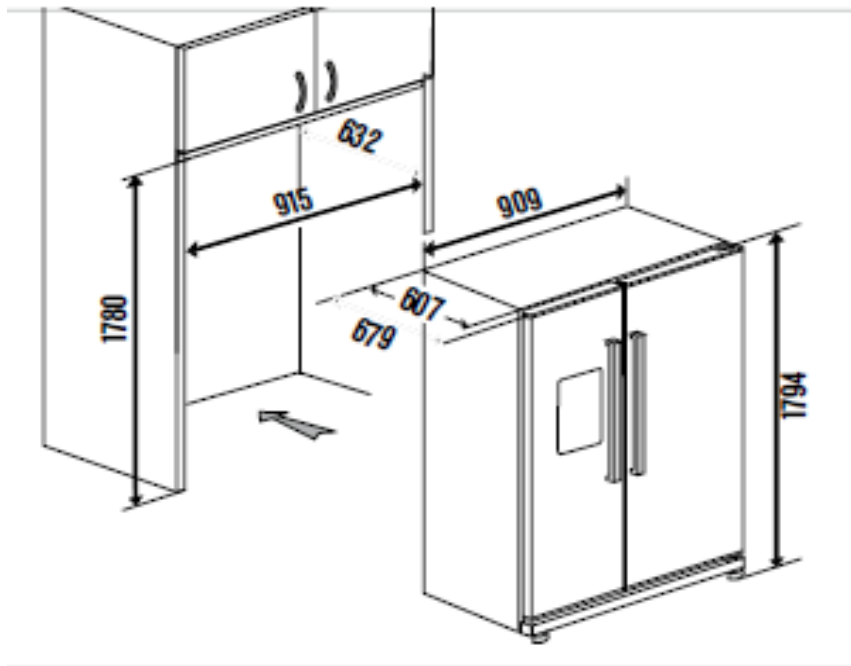
## SPECIFICATION SHEET - kitchen appliances

<b>BRAND:</b>	Küppersbusch <small>FÜR KÜCHEN MIT STIL</small>	<b>Product Photo:</b> 
<b>ORIGIN:</b>	Germany	
<b>SERIES:</b>	<b>Profession +</b>	
<b>PRODUCT DESCRIPTION:</b>	<b>Built-in refrigerator-freezer, with:</b> <ul style="list-style-type: none"> <li>- electronic temperature control</li> <li>- Electronic refreshment center for ice cubes, crushed ice, Iced water</li> <li>- fridge section 379 litres, freezer 170 litres</li> <li>- internal water filter with exchange indicator</li> <li>- flat back positioning up to wall</li> <li>- without handles (Optional)</li> </ul>	
<b>MODEL No.</b>	KEI 9750-0-2 T ****	
<b>FINISH/COLOUR:</b>	stainless steel look	
<b>DIMENSIONS:</b>	Overall: 909 W x 1794 H x 679 D mm Opening: 915 W x 1780 H x 632 D mm	
<b>OPTIONAL MATCHING PARTS:</b>	Optional door handles: 9751 in stainless steel look, 9752 in Black chrome, 9753 in silver chrome, 9754 in gold, 9755 in black velvet, 9757 in	

**Technical Informations:**

**voltage/frequency :** 220V/50-60Hz

**total power :** 0.45kW/hr.



**Minimum 200mm<sup>2</sup> at the back must be provided for ventilation.**

<b>REMINDER:</b>	Do not use abrasive or aggressive cleaners and or contain chlorine or hydrochloric acid solution for cleaning.
	Sufficient ventilation must be provided for oven, microwave, steamer & hobs according to requirement.
	All information stated above are solely for reference only, and should be based on the actual submission sample. Dimensions and specifications are subject to change without prior notice.